

PRODUCT PROFILE

Twin TipTrak

What is TipTrak?

TipTrak is a bucket elevator, capable of running from a single drive both horizontally and vertically, or at any angle in between. By running horizontally & vertically without transfer points, your product moves from one process to another without spillage, degradation, dusting or segregation of blended products. The unique interlocking bucket design makes TipTrak the gentlest possible method of moving your product.

TipTrak is available in a variety of sizes and construction types. In addition, many different elastomers and plastics compounds are available to suit the operating environment.



Twin TipTraks - Why?

A Twin TipTrak has a double set of buckets in one TipTrak frame (see overleaf). Some reasons for selecting a Twin TipTrak include:

- to double the capacity of a TipTrak, without using a larger model that would increase the infeed elevation (eg. Twin S-2 instead of single S-5 or Twin S-5 instead of S-15)
- to reduce the speed of an elevator to further minimize product damage, and/or reduce maintenance, while maintaining capacity
- to carry two distinct products from one infeed location to the discharge point

History of the Twin / Products handled

The first Twin TipTraks were built in 1977 and are still in operation today. One is located in Michigan handling a cereal product and the other is in Texas carrying freeze-dried coffee. Other products being handled include soluble (instant) coffee, a high temperature snack food pellet, pasta short goods and a specialty chopped fiber product. Whatever the application, the extra-deep TipTrak buckets promise spillage-free loading, conveying and discharge of your bulk materials.

Variations

Two types of Twin TipTraks are available - a "two chain" twin and a "three chain" twin. The "two chain" twin has a double row of buckets between two lengths of TipTrak belting. The "three chain" twin has an extra length of belting between the rows of buckets (see overleaf). The third chain provides additional strength, and is recommended for heavy materials, large capacities, higher discharge elevations, or a combination of these three conditions.

Some options available

- infeed chutes and hoppers
- vibratory feeders
- motion failure alarms
- C.I.P. nozzles
- discharge chutes & diverters
- control panels

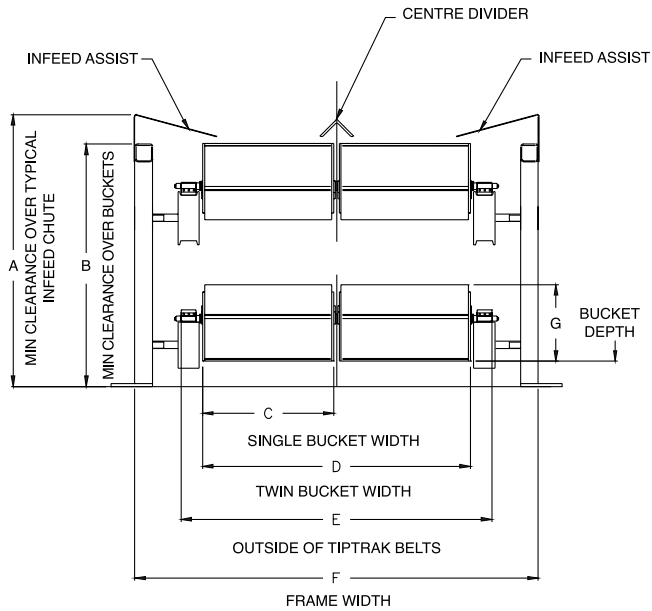
UNITRAK

Striving to exceed our
customers' expectations

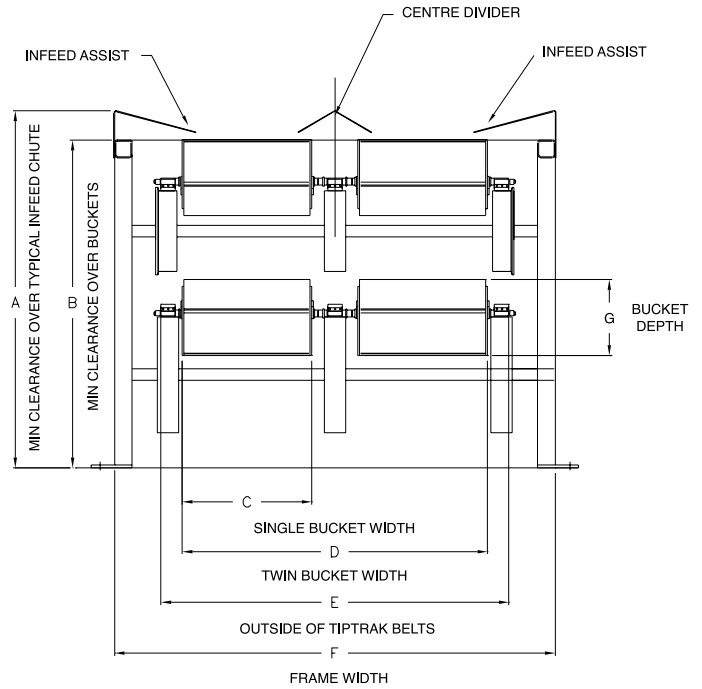


Twin TipTrak Dimensions

"2 chain" Twin design



"3 chain" Twin design



	S-2 Open	S-2 P.E.C.	S-2 Monoco- que	S-5 Open	S-5 P.E.C.	S-5 Monoco- que
A	23.00	25.00	31.00	32.50	35.25	38.75
B	20.50	22.18	26.93	30.00	31.18	34.68
C	11.00	11.00	11.00	16.43	16.43	16.43
D	22.62	22.62	22.62	33.43	33.43	33.43
E	26.25	26.25	26.25	38.68	38.68	38.68
F	34.12	34.43	35.37	47.56	48.38	48.68
G	6.43	6.43	6.43	8.43	8.43	8.43

all measurements in inches

	S-2 Open	S-2 P.E.C.	S-2 Monoco- que	S-5 Open	S-5 P.E.C.	S-5 Monoco- que
A	30.43	32.12	34.62	44.00	45.62	46.00
B	27.93	29.31	30.56	41.43	41.56	42.43
C	11.00	11.00	11.00	16.43	16.43	16.43
D	26.00	26.00	26.00	37.12	37.12	37.12
E	29.68	29.68	29.68	42.56	42.56	42.56
F	37.56	37.87	38.81	51.43	52.12	52.93
G	6.43	6.43	6.43	8.43	8.43	8.43

all measurements in inches